



DC-DB-50KTL

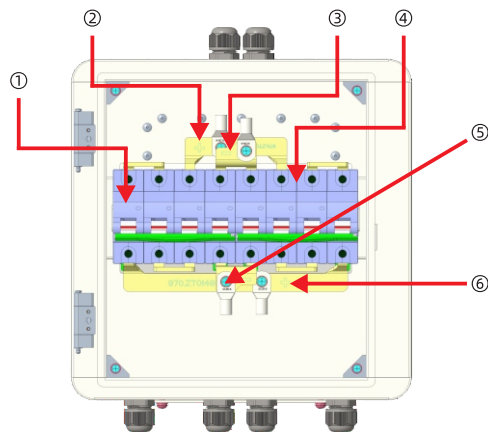
User Manual



SHENZHEN ATESS POWER TECHNOLOGY CO.,LTD

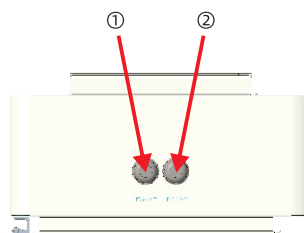
## Internal Components

There are two 1000VDC/100A miniature DC circuit breakers inside the DC distribution box used to connect the battery cabinet. The internal components, as well as the top and bottom schematic diagrams, are shown below



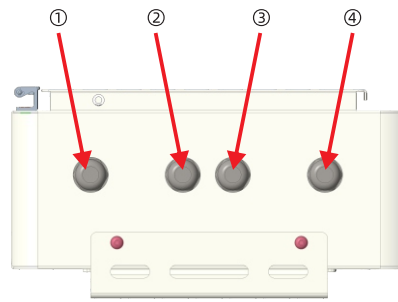
FRONT VIEW 1

NO	NAME	NUM
1	DC breaker-1	1
2	Positive copper strip	1
3	Negative pole copper strip	1
4	DC breaker-2	1
5	BAT- copper strip	1
6	BAT+ copper strip	1



TOP VIEW

NO	NAME	NUM
1	HPS-BAT+	1
2	HPS-BAT-	1

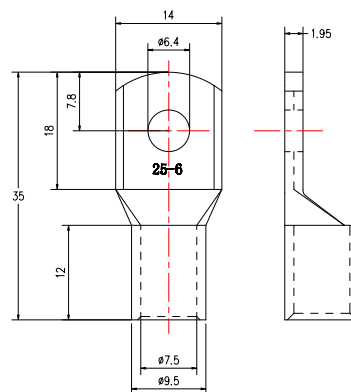


BOTTOM VIEW

NO	NAME	NUM
1	BAT+ (-)	1
2	BAT- (+)	1
3	BAT+ (-)	1
4	BAT- (+)	1

### Wiring precautions

1. recommend using 35 or 2AWG square copper wire for DC battery wiring; When selecting wires, attention should be paid to the insulation voltage level of the wires. For the wires in the DC battery section, we recommend using wires with an insulation voltage level of 1000VDC.
2. Before wiring, it is necessary to select suitable wiring terminals. We suggest choosing two types, as shown in Figure 2 below



unit: mm

3. The wiring is sequential; Firstly, peel the wire, with a recommended peeling length of 15mm, as shown in Figure 3; Secondly, the wire passes through the PG head of ATESS DC-DB-50KTL, as shown in Figure 4; Crimp the terminal onto the wire again, and finally connect the corresponding wire to the corresponding miniature circuit breaker.

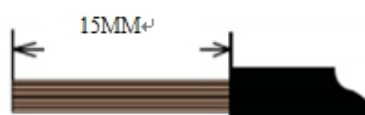


Figure 3

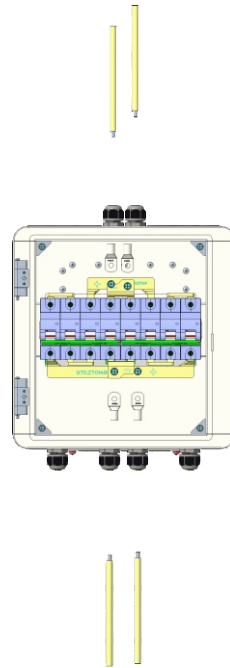


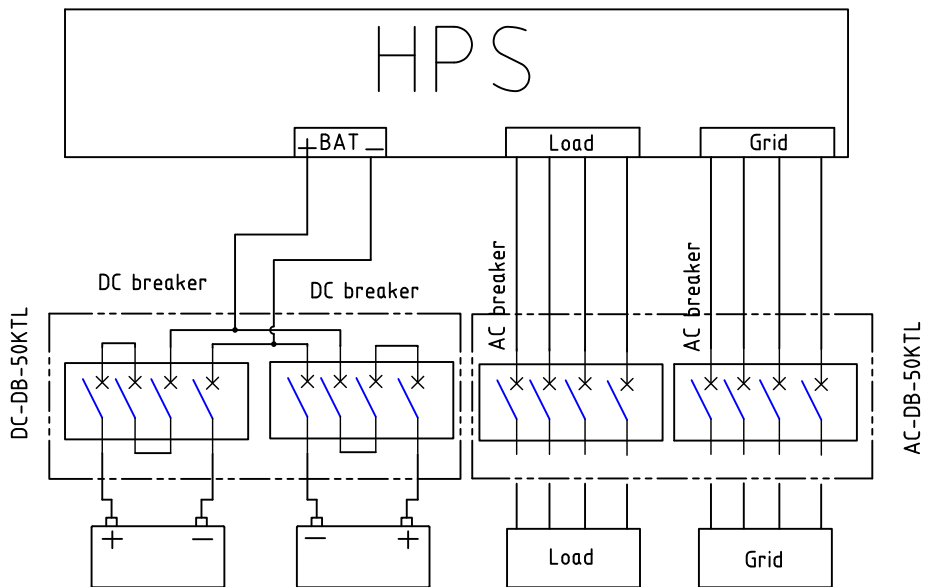
Figure 4

## Wiring Electrical Schematic Diagram

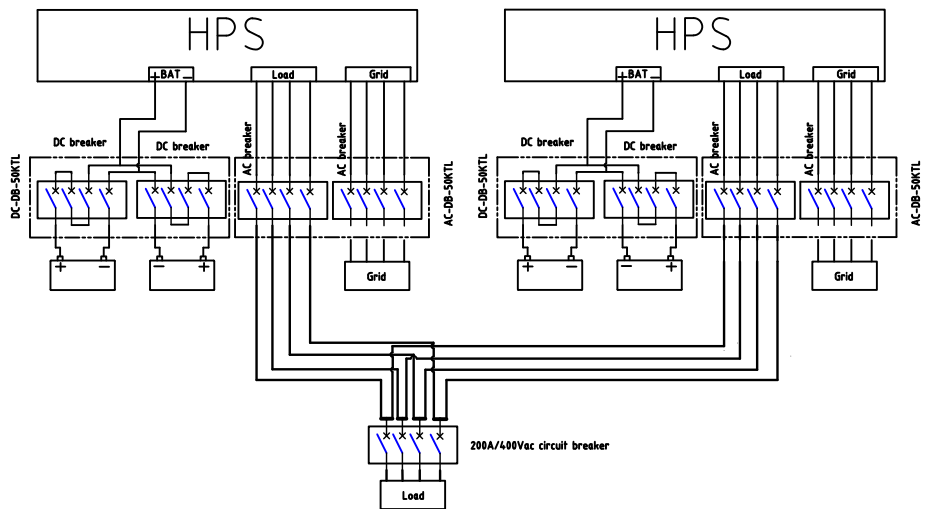
1. Wiring diagram for individual battery pack, ATESS DC-DB-50KTL ,ATESS AC-DB-50KTL, and HPS



2 .Two battery packs and ATESS DC-DB-50KTL,ATESS AC-DB-50KTL and HPS wiring diagram



3. Electrical schematic diagram of two HPS parallel wiring



Maintenance

Please communicate with the business regarding the warranty period, but there are several situations that do not fall within the warranty scope

- a. Intentionally causing damage
- b. Unable to resist natural disasters
- c. Damage caused by improper use

All interpretation rights ultimately belong to SHENZHEN ATESS POWER TECHNOLOGY CO.,LTD