





# ATS30/50/100/150

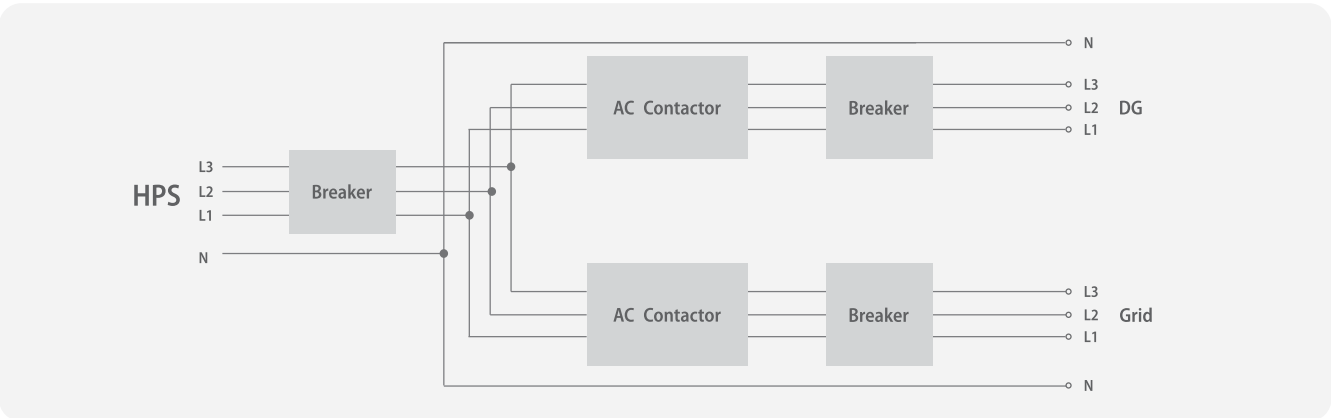
The ATS is an accessory of the HPS. When both the grid and DG need to access the HPS, the ATS will be used to switch between the grid and DG automatically.

## Features

-  HPS compatible
-  Flexible management
-  Transfer automatically between grid and DG
-  Support remote control of DG



## Block Diagram



|                       | ATS30                | ATS50                | ATS100               | ATS150               |
|-----------------------|----------------------|----------------------|----------------------|----------------------|
| Rated voltage         | 400V                 | 400V                 | 400V                 | 400V                 |
| Rated current         | 86A                  | 144A                 | 288A                 | 346A                 |
| Rated frequency       | 50/60Hz              | 50/60Hz              | 50/60Hz              | 50/60Hz              |
| Rated power           | 60kVA                | 100kVA               | 200kVA               | 240kVA               |
| Output breaker        | 100A                 | 250A                 | 400A                 | 630A                 |
| Grid breaker          | 100A                 | 250A                 | 400A                 | 630A                 |
| DG breaker            | 100A                 | 250A                 | 400A                 | 630A                 |
| Lightning protection  | Type II              | Type II              | Type II              | Type II              |
| Protection degree     | IP20                 | IP20                 | IP20                 | IP20                 |
| Relative humidity     | 0~95% non-condensing | 0~95% non-condensing | 0~95% non-condensing | 0~95% non-condensing |
| Operating temperature | -25°C~+55°C          | -25°C~+55°C          | -25°C~+55°C          | -25°C~+55°C          |
| Dimension (W/H/D)     | 600/1500/450mm       | 600/1500/450mm       | 700/1650/500mm       | 700/1650/500mm       |
| Weight                | 75kg                 | 77kg                 | 125kg                | 125kg                |
| Communication         | RS485/CAN            | RS485/CAN            | RS485/CAN            | RS485/CAN            |

---