

PVCB8HV

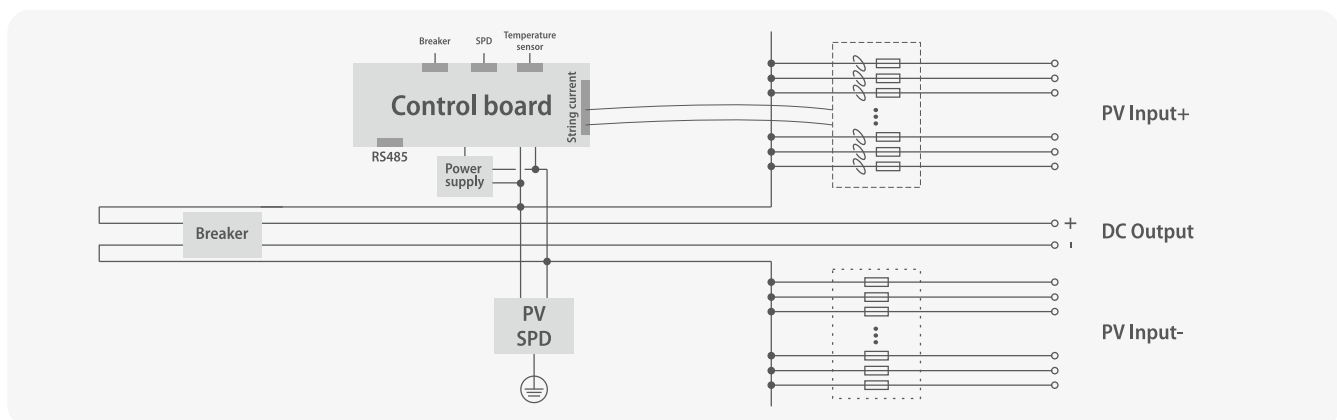
The PV combiner box is an accessory for multiple PV strings connections, and it is with a smart controller inbuilt for monitoring, along with comprehensive protections including the fuse and SPD.

Features

-  Lightning protection
-  IP65 environment compatibility
-  RS485 communication interface
-  Monitoring function
-  Flexible design with 8 input
-  Input fuse for over current protection



Block Diagram



PVCB8HV

Input DC

Max. input voltage	1500V
Max. string Isc	20A
Number of input string	8
Input fuse	1 on negative and positive pole of each string, 30A, 10*65mm
Input cable gland	4mm-8mm cable diameter
Input cable terminal	4mm ² -6mm ²

Output DC

Number of output	1
Max. output current	160A
Output breaker	200A
Output cable terminal	70mm ²
Output cable gland	13mm-18mm cable diameter

General Information

Dimension (W/H/D)	600/500/187mm
Weight	22.5kg
Enclosure material	Galvanized steel
Protection degree	IP65
Operating temperature	-25°C~55°C
Humidity	0~99%
Altitude	2000m without derating
Lightning protection	Type II
Cooling method	Natural convection
Mounting	Wall-mount
Monitoring	String current, bus voltage, breaker status, surge arrester status, internal temperature
Power supply	DC450V~1500V
Power consumption	14W
Communication	RS485
