

ATS50/100/150-US-220

The ATS is an accessory of the American standard HPS. When both the grid and DG need to access the HPS, the ATS will be used to switch between the grid and DG automatically.

Features

HPS compatible

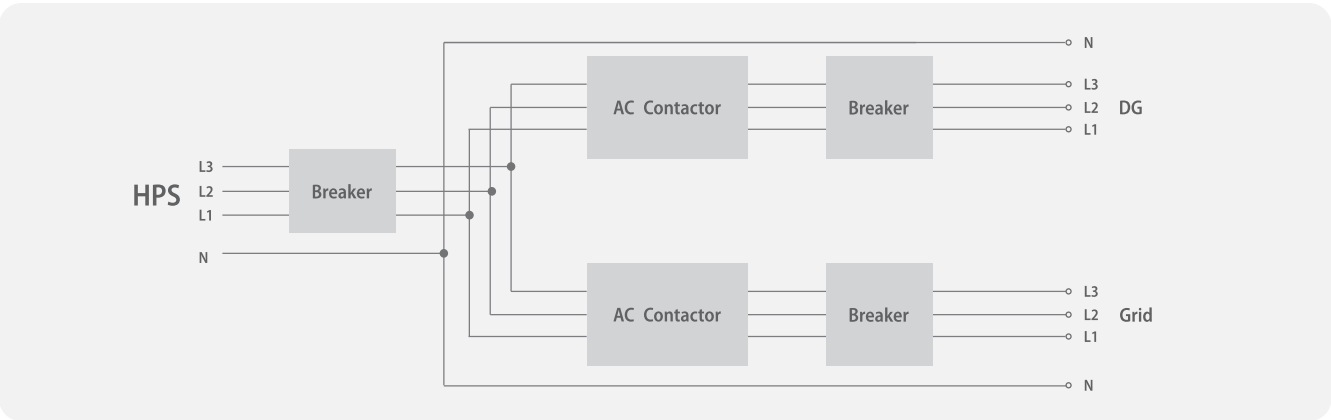
Flexible management

Transfer automatically between grid and DG

Support remote control of DG



Block Diagram



	ATS50-US-220	ATS100-US-220	ATS150-US-220
Rated voltage	220V	220V	220V
Rated current	131.3A	262.7A	394.1A
Rated frequency	50/60Hz	50/60Hz	50/60Hz
Max. power	75kVA	150kVA	225kVA
Output breaker	250A	400A	630A
Grid breaker	250A	400A	630A
DG breaker	250A	400A	630A
Lightning protection	Type II	Type II	Type II
Protection degree	Type 1	Type 1	Type 1
Relative humidity	0~95% non-condensing	0~95% non-condensing	0~95% non-condensing
Operating temperature	-25°C~+55°C	-25°C~+55°C	-25°C~+55°C
Dimension (W/H/D)	600/1500/430mm	700/1650/500mm	850/1650/550mm
Weight	82kg	135kg	173kg
Communication	RS485/CAN	RS485/CAN	RS485/CAN
