

# HPS30000TL-US-208

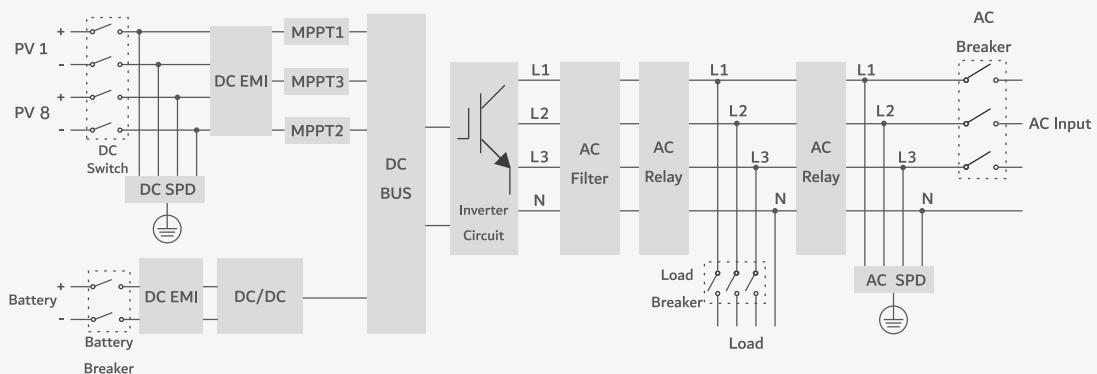
30kW three phase all-in-one hybrid inverter for small commercial use.

## Features

-  All-in-one hybrid inverter
-  Compact design
-  Touchscreen LCD
-  Seamless on/off grid transfer within 10 ms
-  Max. 4 units in parallel for on&off grid operation
-  Support remote control of DG
-  Programmable working mode
-  Multiple MPPT inputs



## Block Diagram



## HPS30000TL-US-208

### AC(on-grid)

Apparent power	30kVA
Rated power	30kW
Rated voltage	208V
Rated current	83A
Voltage range	190-240V Wye/High-leg delta with split phase (Opt) (Derate below 208V 3P)
Rated frequency	50/60Hz
Frequency range	47~53/57~63Hz
THDI	<3%
PF	0.9 lagging~0.9 leading
AC connection	3/N/PE

### AC(off-grid)

Apparent power	30kVA
Rated power	30kW
Rated voltage	208V
Rated current	83A
Voltage range	190-240V Wye/High-leg delta with split phase (Opt) (Derate below 208V 3P)
THDU	≤2% linear
Rated frequency	50/60Hz
Overload capability	110%-10 mins 120%-1 min

### DC (Battery and PV)

Max. PV Open-circuit voltage	800V
Max. PV power	37.5kWp
PV MPPT voltage range	125V-620V
Number of MPPT	3
PV input/MPPT	2/3/3
Battery voltage range	260-620V
Full load battery voltage range	350-600V
Max. charge/discharge power	30kW
Max. charge/discharge current	85A

### General Information

Protection devices	PV DC switch, PV fuse, battery breaker and fuse
Protection degree	Type 3R
Noise emission	<65dB(A)@1m
Operating temperature	-30 °C~+50 °C
Cooling method	Forced-air
Relative humidity	0-95% non-condensing
Max. altitude	3000m (derate over 2000m)
Dimension (W/H/D)	600/1000/315mm
Weight	90kg
Topology	Transformerless
Lightning protection	Type II
Transfer between on/off grid	Automatic≤10ms
Standby consumption	<20W

### Communication

Display	Touch screen
Communication	RS485/CAN
Monitoring	WiFi or 4G module available